



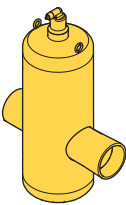
Quick Installation Guide

For articles starting with: BA / BC / BD / BE / BF / HA / HC / HD / HE / HF

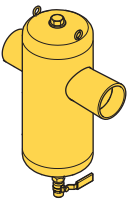


62.028_01

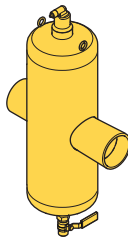





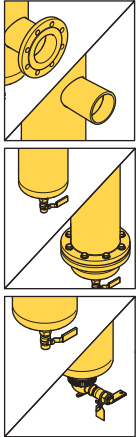
SPIROVENT®












SPIROTRAP®




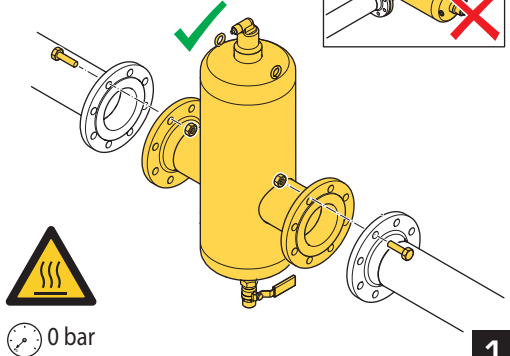
SPIROCOMBI®












 0-10 bar
 0-110 °C

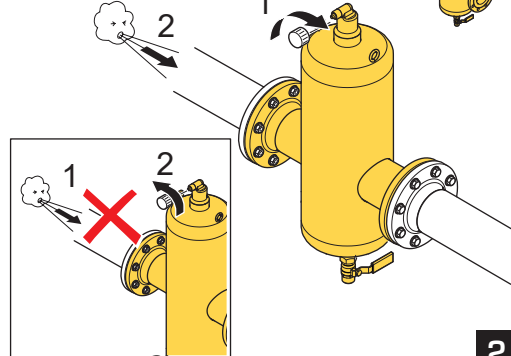
Acc. PED (2014/68/EU) §4.3


1



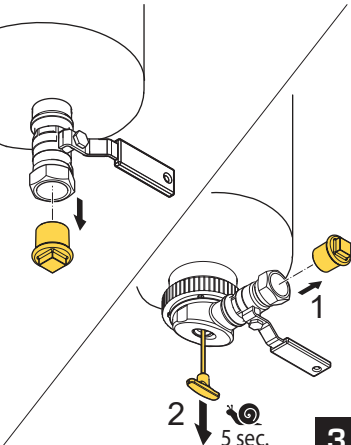
Pmax = 15 bar



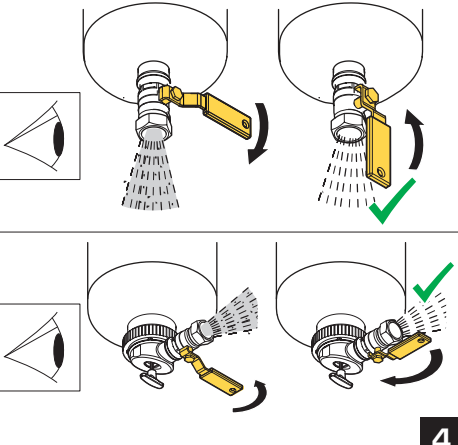
2



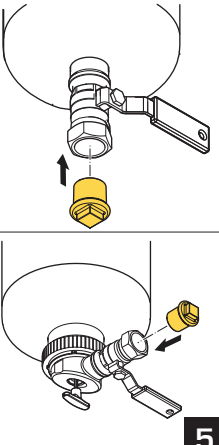
0 bar




3



4



5



2
5 sec.